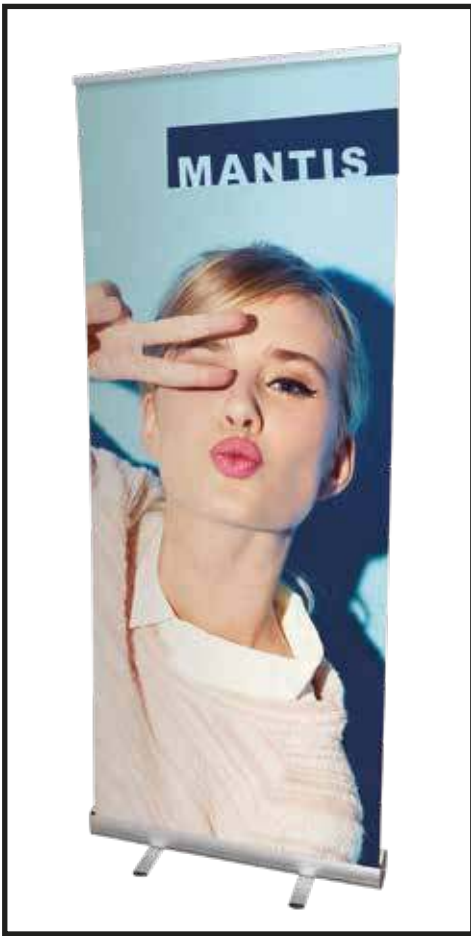
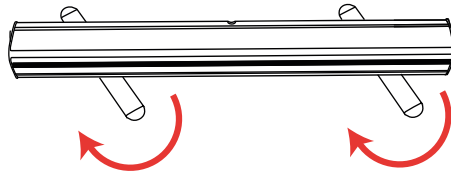


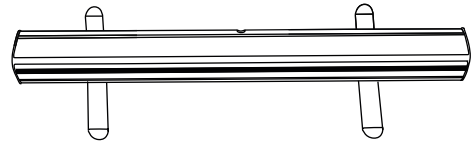
# Mantis (800mm to 1200mm Wide Banners)



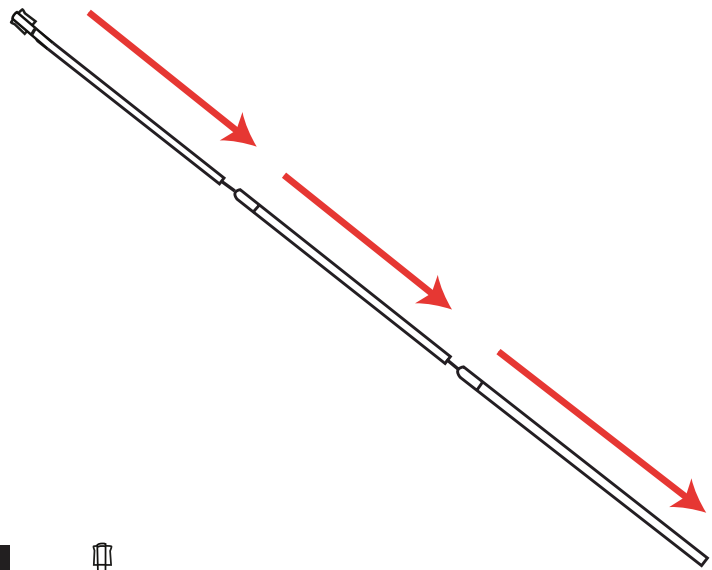
1



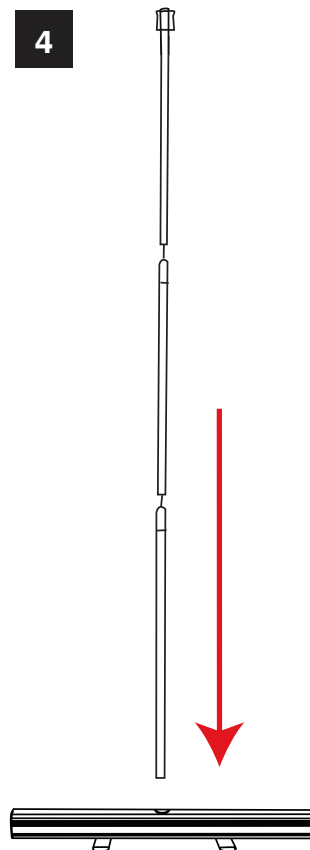
2



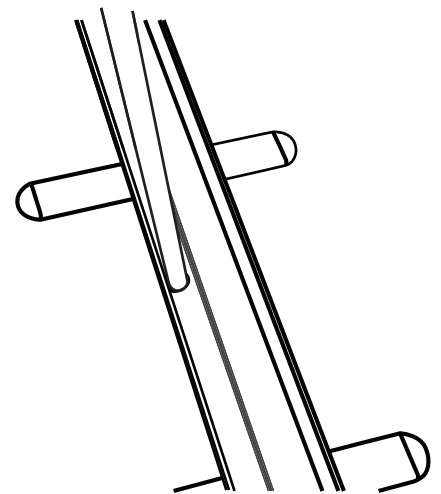
3




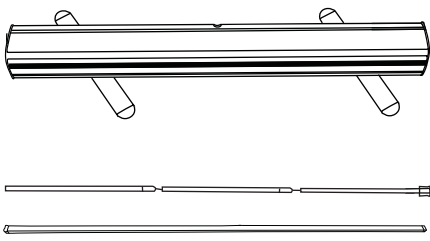
4



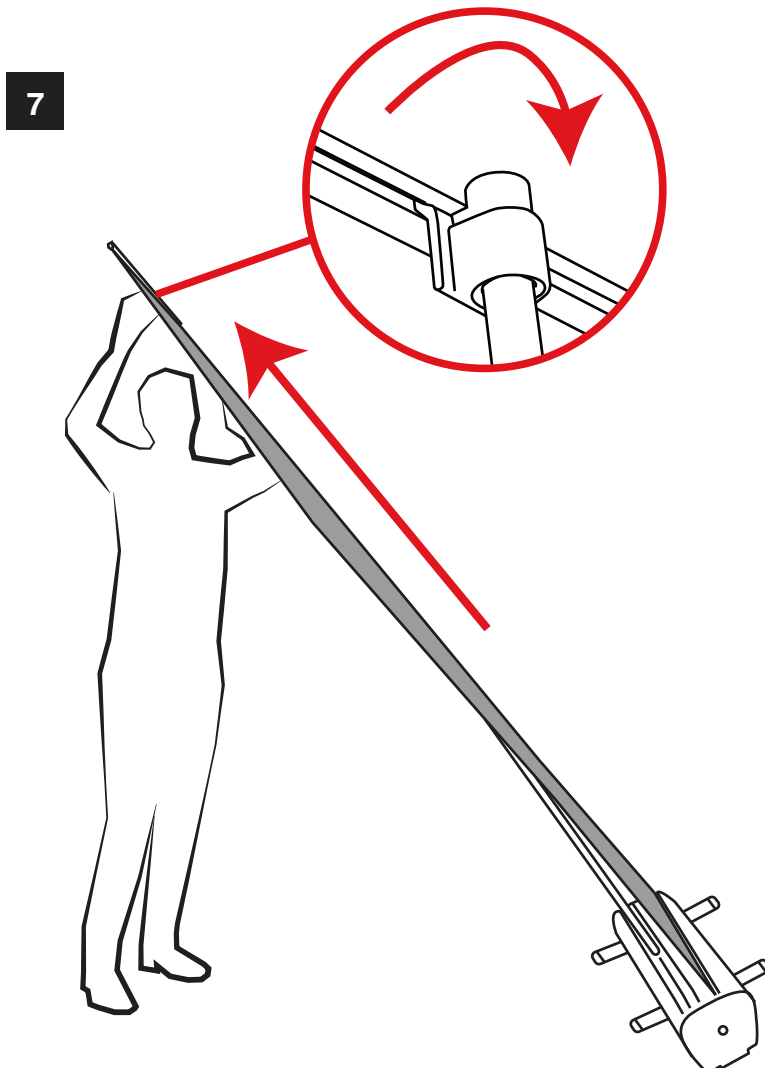
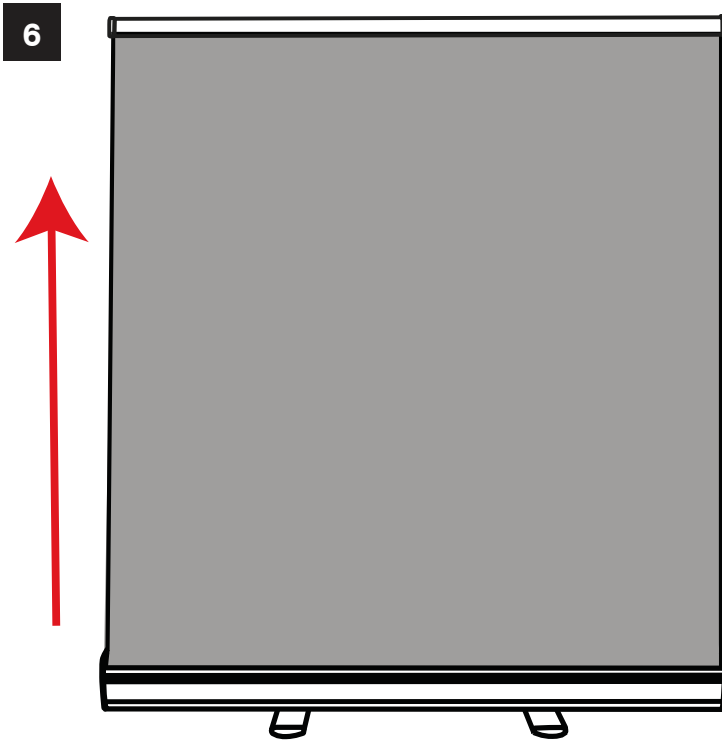
5



 **PARTS (NOT TO SCALE)**

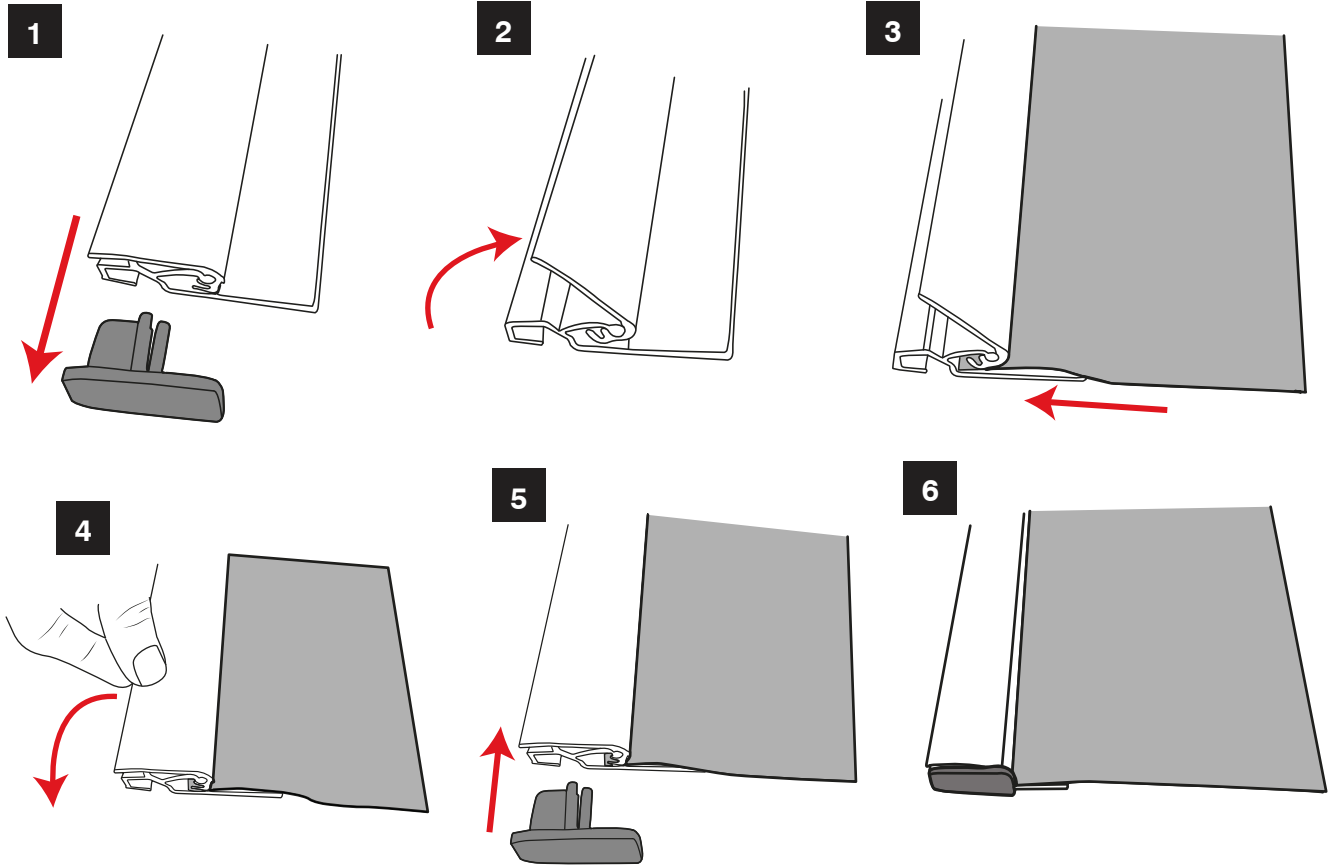


A diagram showing the parts included in the kit: one banner bar with feet, one long stand component, and two shorter stand components.

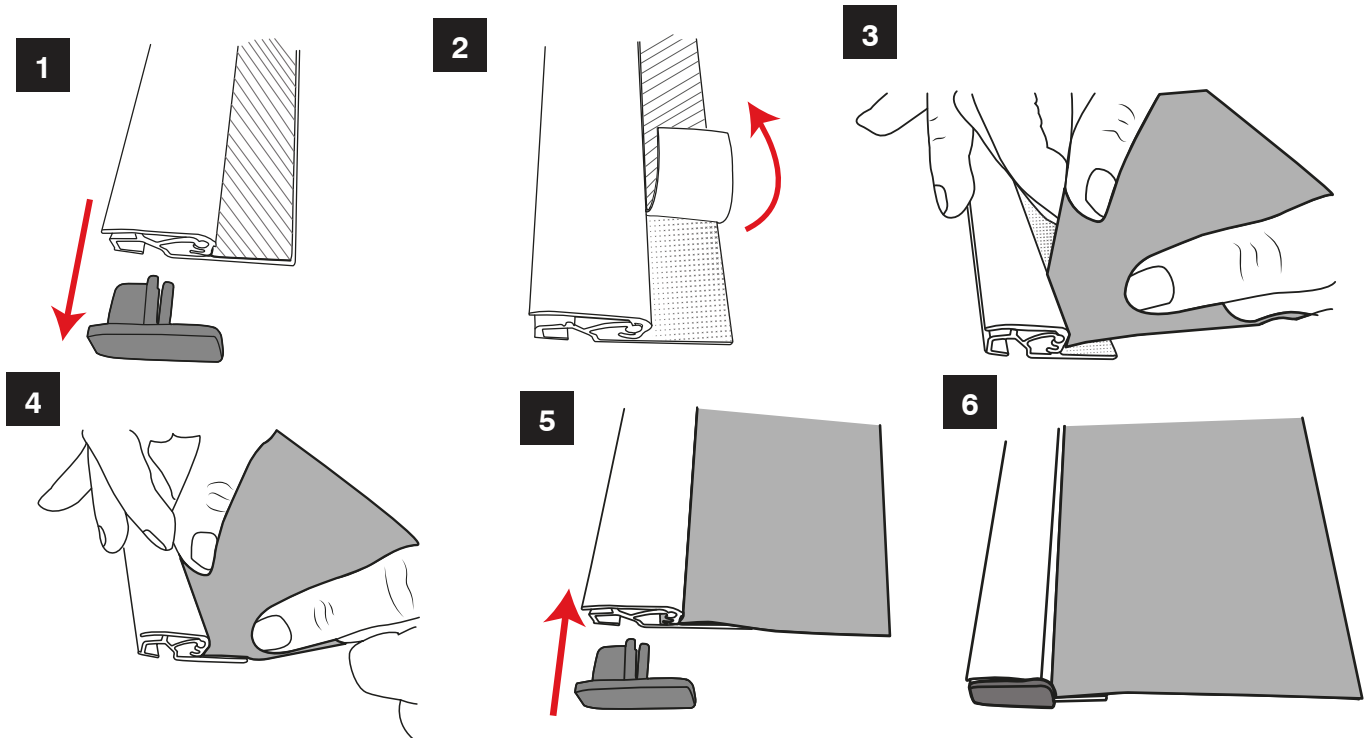




## Snap Rail

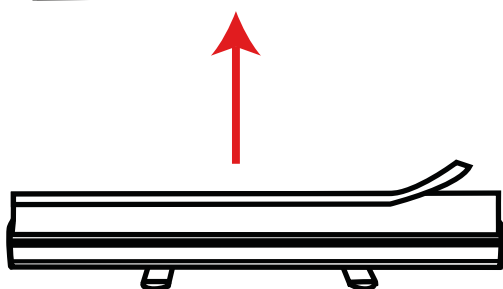


## Self Adhesive Rail

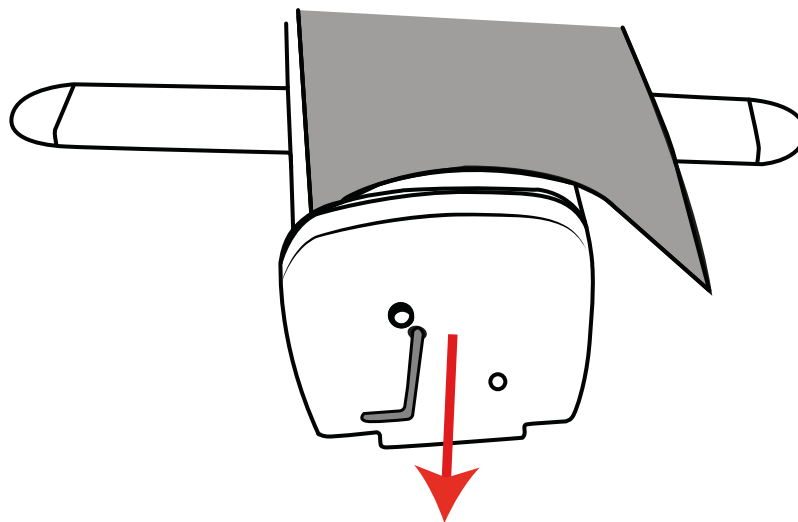




1



2



3

